

Alternative equine surgery table system – a new dimension of a mechanical handling –

Worldwide all equine practices and hospitals are faced with same risks during the anesthesia processes. Damages and injury occur from time to time especially during recovery period. Usually, nobody speaks about damage caused by the fact of hanging horses up side down by fixing and pulling their legs towards one crane hook. Enormous costs and precautionary measures are needed to warranty safety and best transportation as well for patient and for the working team.

- handling of all OR stages
- relieve of staff
- safety and protection for patient and team
- reduce staff and time-saving
- working without ceiling crane
- transfer to longtime sling systems
- waking up standing (case-by-case based)



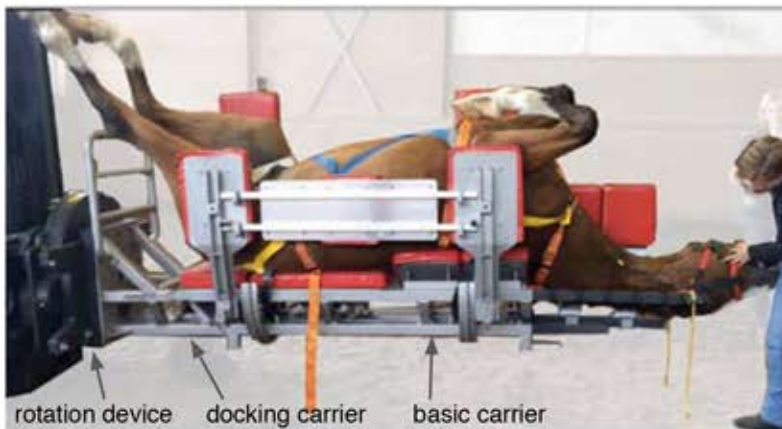
(Thanks TK Nossen) E.Visot System, Paris, 1900



lateral position with forklift truck



hydraulic OR cart with attached base support



dorsal position with forklift



side arms and steel steps fully removable



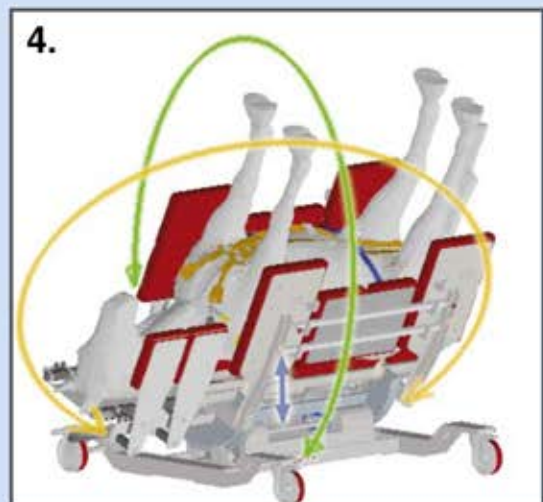
Pickup, lifting and transportation in anesthesia



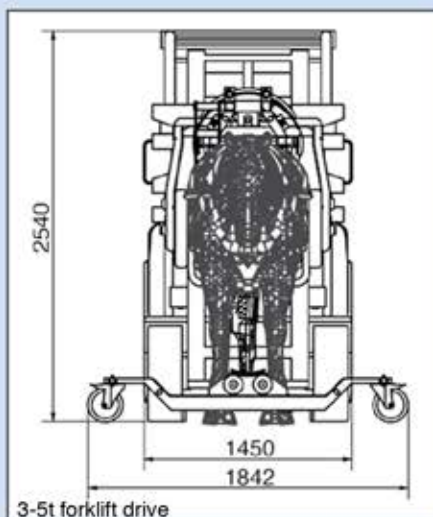
Surgery in combination with forklift: rotatable to lateral position left, right and dorsal, lifting in each working level



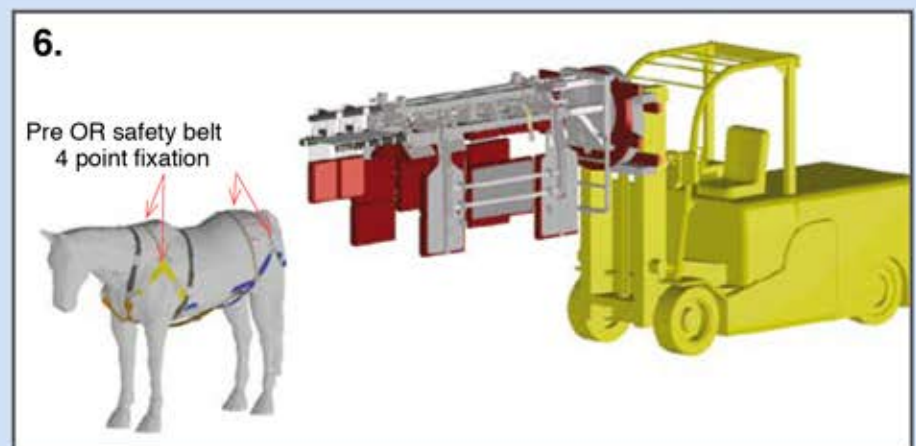
Surgery without forklift, detachable to three-axis hydraulic OR cart



Height setting, all side positions, tilting back and front



5. Post surgery: Pickup, handling in reverse steps (3-1)



Wake up – standing or ventral position (case-by-case based)